

Product Data Sheet

Model : OPT-RY-8MPTZ-25X5125



- 1/2.8" progressive scan CMOS
- 4K high resolution
- 25x optical zoom, 16x digital zoom
- 120dB WDR
- Up to 100m IR distance
- Auto tracking
- Smart detection and perimeter protection

■ Specification

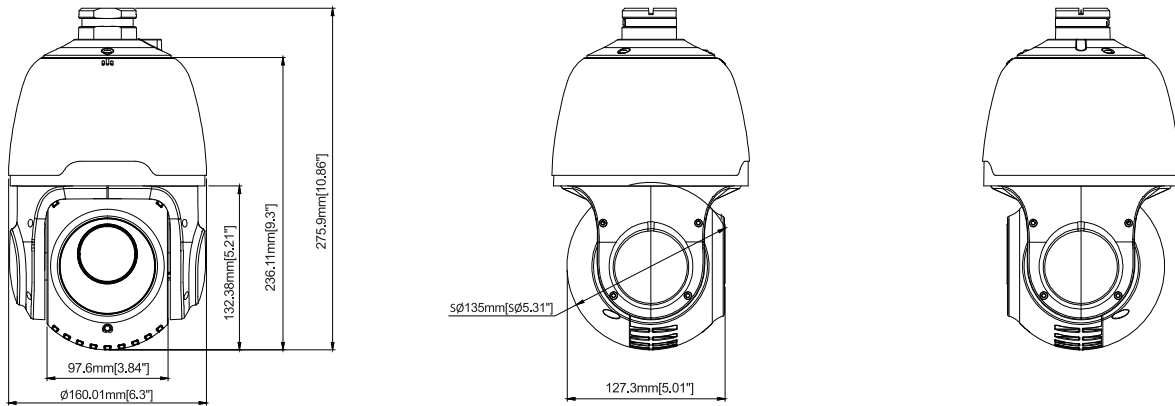
Camera	
Image Sensor	1/2.8" Progressive Scan CMOS
Max. Resolution	3480x2160
Min. Illumination	Color: 0.007 Lux @ (F1.6, AGC ON), B/W: 0 Lux with IR
Shutter Speed	1/5 s to 1/20000 s
Slow Shutter	Yes
Day & Night	IR cut filter
Zoom	25x optical
Lens	
Focal Length	5mm to 125mm
FOV	Horizontal field of view: 59.9° to 8.9° (wide-tele), Vertical field of view: 34.4° to 4.8° (wide-tele), Diagonal field of view: 67.1° to 5.1° (wide-tele)
Aperture	Max. F1.6
Focus	Auto, manual
Illuminator	
Supplement Light Range	IR Distance: up to 100m
Supplement Light Type	IR
PTZ	
Movement Range(Pan)	360°
Movement Range(Tilt)	-10° to 90° (auto flip)
Pan Speed	Pan speed: configurable from 0.6° to 80°/s; preset speed: 120°/s
Tilt Speed	Tilt speed: configurable from 0.6° to 80°/s, preset speed 100°/s
Presets	255
Patrol Scan	1 Scan
Pattern Scan	4 pattern
Power-Off Memory	Yes
3D Positioning	Yes

Video	
Main Stream	50 Hz: 25fps(3840x2160,3072x1728,2592x1944, 2592x1520, 2304x1296,1920x1080,1280x960,1280x720); 60 Hz: 30 fps(3840x2160,3072x1728,2592x1944, 2592x1520, 2304x1296,1920x1080,1280x960,1280x720);
Sub-Stream	50 Hz: 25 fps (1280x720, 640 × 480, 320x240); 60 Hz: 30 fps (1280x720, 640 × 480, 320x240);
Third Stream	50 Hz: 25 fps (640x480, 320x240); 60 Hz: 30 fps (640x480, 320x240)
Video Compression	Main stream: H.265+/H.265/H.264+/H.264 Sub-stream: H.265+/H.265/H.264+/H.264/MJPEG Third stream: H.265+/H.265/H.264+/H.264
Video Bit Rate	16 kbps to 16384 kbps
H.264 Type	Baseline Profile/Main Profile/High Profile
H.265 Type	Main Profile
Audio	
Audio Compression	G.711a/G.711u
Network	
Protocols	IPv4/IPv6, HTTP, HTTPS, FTP, SMTP, UPnP, SNMP, DNS, DDNS, NTP, RTSP, TCP/IP, UDP, DHCP, PPPoE,
API	Onvif (Profile S, Profile G, Profile T),Http API
Simultaneous	Live View Up to 14 channels
User/Host	15 User
Security	Password protection, complicated password, HTTPS encryption, IP address filter,control timeout settings
Client	VMS
Web Browser	IE10/11 Safari V12.1 above Firefox V.52 above Google chrome V.57 above Edge V.79 above
Image	

Day/Night Switch	Day, Night, Auto, Schedule
Image Enhancement	BLC, HLC, 3D DNR
Wide Dynamic Range (WDR)	120dB
Image Settings	Saturation, brightness, contrast, sharpness, Hue and white balance adjustable by client software or web browser
Privacy	4 privacy masks
Interface	
Ethernet Interface	1 RJ45 10M/100M self-adaptive Ethernet port
On-Board Storage	Built-in memory card slot, support microSD/SDHC/SDXC card, up to 256GB
Alarm	1 inputs, 1 output
Audio	1 inputs, 1 output
Reset	Yes
Event	
Basic Event	Motion detection, alarm input and output
Deep Learning Function	Face Recognition, Human & Vehicle Detection, Perimeter Intrusion Detection, Line Crossing Detection, Stationary Object Detection, Crossing Counting, Heat Map, Crowd Density Detection, Queue Length Detection, License Plate Detection, Rare Sound, Intrusion, Region Entrance, Region Exiting
Smart Tracking	auto-tracking
Alarm Linkage	Upload to FTP, send email, trigger alarm output, trigger recording
General	
Power	DC 12V/PoE+, max. 25.2W
Operating Condition	-30 °C to 60 °C (-22 °F to 149 °F). Humidity 90% or less (non-condensing)
Material	Metal
Dimension	Ø 160 mm × 270 mm (Ø 6.3" × 10.6")
Weight	Approx. 2.52 kg (5.56lb.)

Approval	
Protection	IP66

■ Dimension



■ Accessory (included)



RS-BZJ-E

■ Accessory (Optional)



RS-CZJ-B



RS-DZJ-F



RS-PZJ-C